



## 120 Watt Universal 3-Wire Input Adapter PSA120U Adapter Series meets EISA Requirements



### Features

- EISA Compliant
- Class B EMI
- Non-vented/Spill-proof Case
- Level IV Efficiency Compliant

### Applications

- Networking
- Peripherals
- Industrial
- Test and Measurement

### Safety Approvals

- cUL/UL
- CE
- TUV

### Mechanical Characteristics

- Length: 174mm (6.85in)
- Width: 77mm (3.03in)
- Height: 43mm (1.69in)
- Weight: 0.8Kg (1.76lbs)

### Output Specifications

Model <sup>1</sup>	DC Output Voltage	Load		Efficiency Level <sup>3</sup>
		Min. <sup>2</sup>	Max.	
PSA120U-120V	12V	0A	10A	IV
PSA120U-240V	24V	0A	5.0A	IV
PSA120U-480V	48V	0A	2.5A	IV

- 1 MOQs of 200 pieces for 12V model and 220 pieces for 24V and 48V models.
- 2 Dynamic load from 0.1A to full load.
- 3 See more detail on the second page

Phihong is not responsible for any error, and reserves the right to make changes without notice. Please visit our website at [www.phihong.com](http://www.phihong.com) for the most up-to-date specifications and contact information.

**Input:**

**AC Input Voltage Rating**  
100 to 240VAC

**AC Input Voltage Range**  
90 to 264VAC

**AC Input Frequency**  
47 to 63Hz

**Input Current**  
2.5A at 100VAC  
1.5A at 240VAC

**Leakage Current**  
3.5mA maximum at 254VAC and 50Hz

**Inrush Current**  
65A at 120VAC  
130A at 240VAC  
(Cold Start at ambient 25°C)

**Input Power Saving**  
<0.5W at no load, 115VAC  
<0.75W at no load, 230VAC

**OUTPUT:**

**Efficiency Level**  
Level IV Compliant  
85% minimum average efficiency

**Over-Voltage Protection**  
Output is protected from over voltage fault at all conditions including open-loop

**Over-Power Protection**  
Auto-Reset

**Ripple (P-P Max)**

12V	150mV
24V	240mV
48V	480mV

(Measured using 12-inch twisted pair terminated with a 10uF capacitor and 0.1uF ceramic in parallel)

**Regulation (Line & Load)**  
±5%

**Short-Circuit Protection**

Output will withstand a short circuit across the outputs with auto-restart function. Output can be shorted without damage.

**ENVIRONMENTAL****Temperature**

Operation	0 to +40°C
Non-operation	-20 to +70°C
Humidity	20 to 80%

**Emissions**

FCC Class B  
EN55022 Class B  
CISPR22 Class B

**Immunity**

ESD	EN61000-4-2
RS	EN61000-4-3
EFT	EN61000-4-4
Surge	EN61000-4-5
CS	EN61000-4-6
Voltage Dips	EN61000-4-11

**Dielectric Withstand (Hi-Pot) Test**

Primary to Secondary: 3000V AC for 1 min., 10mA

**MTBF**

≥100K Hours when operated at 75% continuous load and ambient 25°C

**DC Output Connector (12V model)**

Molex P/N: 39-00-0059

Connecting Molex P/N: 39-01-3065

<b>Pin</b>	Pin 1:	+12V
<b>Connections:</b>	Pin 2:	+12V
	Pin 3:	+12V
	Pin 4:	GND
	Pin 5:	GND
	Pin 6:	GND

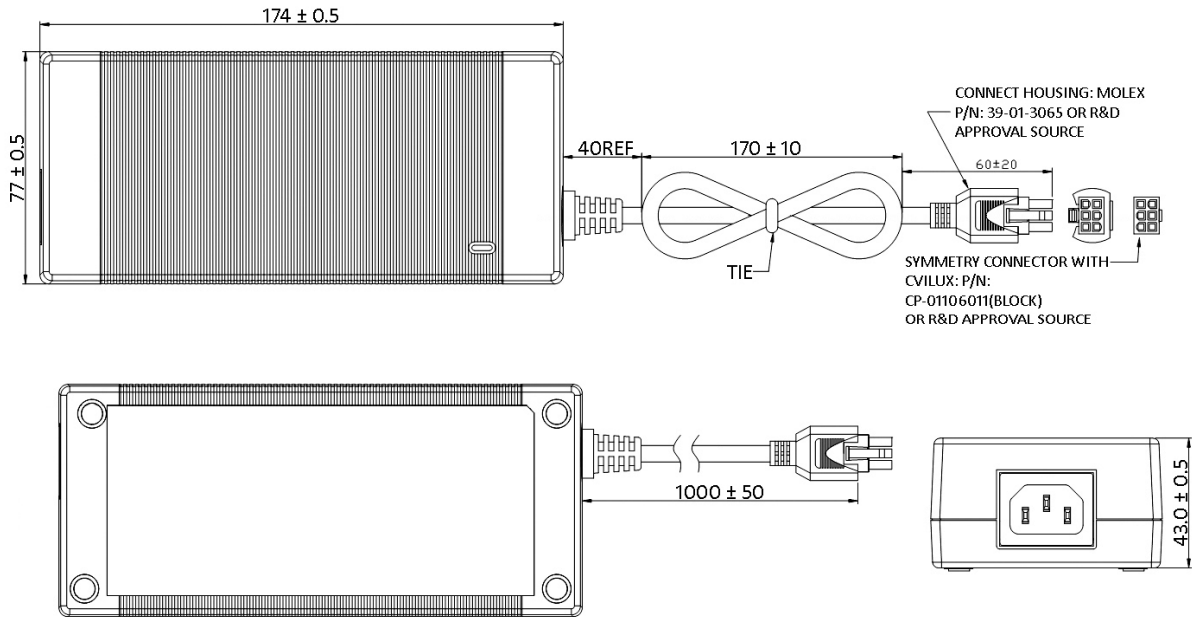
**DC Output Connector (24V, 48V and 56V models)**

2.5 x 5.5mm Center Positive Barrel Standard

**Input Connector**

3-Wire IEC320-C14

PSA120U-120-R



PSA120U-240-R & PSA120U-480-R

