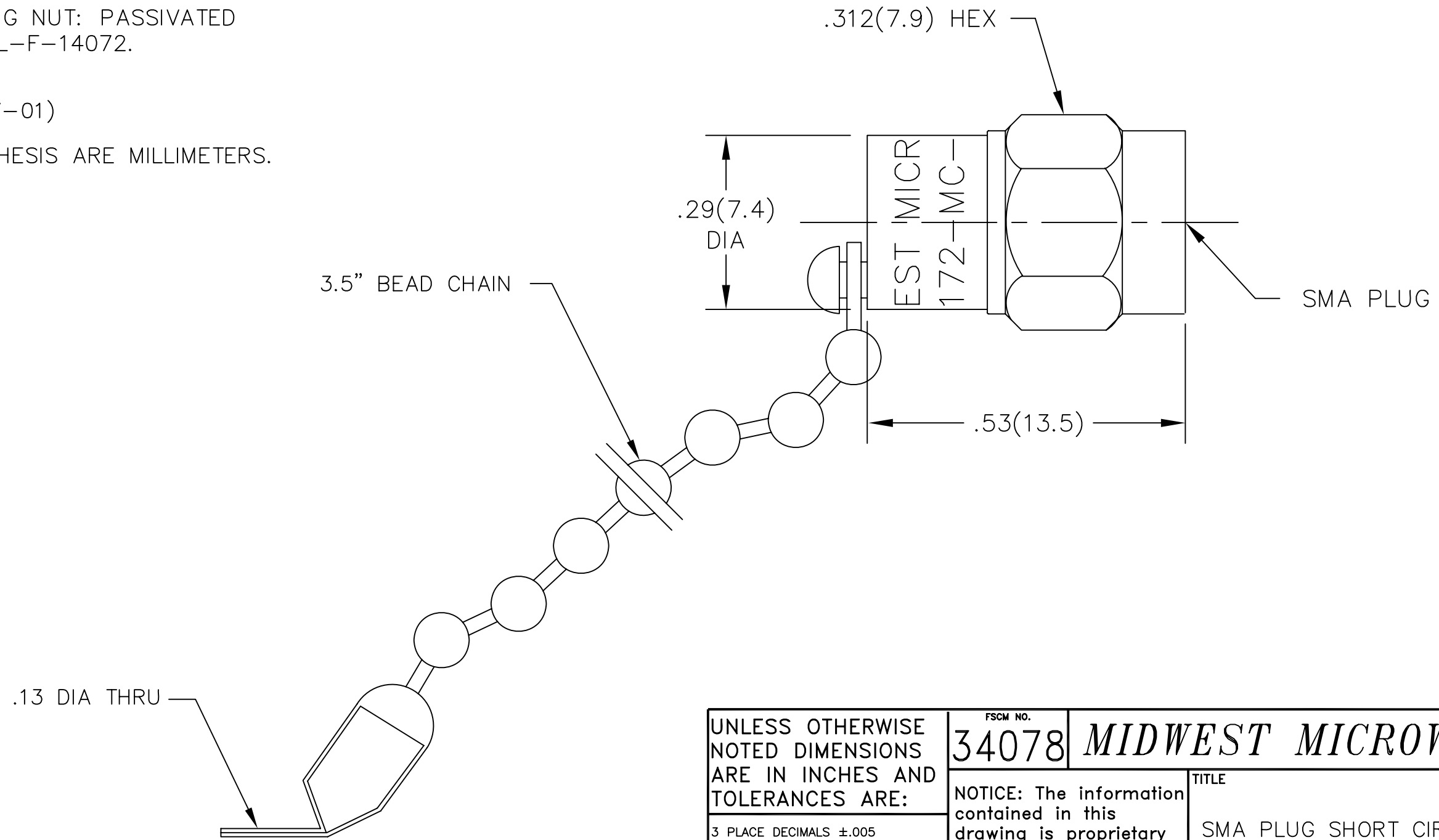


- NOTES:
- 1.0 MATERIAL:
 - 1.1 HOUSING AND COUPLING NUT: STAINLESS STEEL PER QQ-S-764 AND ASTM-A-582, TYPE 303.
 - 2.0 FINISH:
 - 2.1 HOUSING AND COUPLING NUT: PASSIVATED PER QQ-P-35 AND MIL-F-14072.
 - 3.0 MARK UNIT AS SHOWN.
(REF: INK-09154-27-01)
 - 4.0 DIMENSIONS IN PARENTHESIS ARE MILLIMETERS.



UNLESS OTHERWISE NOTED DIMENSIONS ARE IN INCHES AND TOLERANCES ARE:		FSCM NO. 34078		MIDWEST MICROWAVE	
3 PLACE DECIMALS ±.005		NOTICE: The information contained in this drawing is proprietary and must not be used without the permission of Midwest Microwave		TITLE SMA PLUG SHORT CIRCUIT	
2 PLACE DECIMALS ±.02				DRAWING NUMBER SHT-2172-MC-SMA-02	
FRACTIONS ±1/64		DRAWN/DATE A.BEATTY 10/22/93		ENG./DATE G.KOZAK 10/25/93	
PARALLELITY: T.I.R. _____		CHECKED/DATE M.HOLLMAN 10/25/93		APPROVED/DATE	
FLATNESS: T.I.R. _____		SCALE: 5=1		SHEET 1 of 1	
CONCENTRICITY: T.I.R. _____		ANGLES AND PERPENDICULARITY: ±1°			

REV.	DESCRIPTION	DATE
-	RELEASED	10/25/93
-1	ADDED TITLEBLOCK	7/21/05