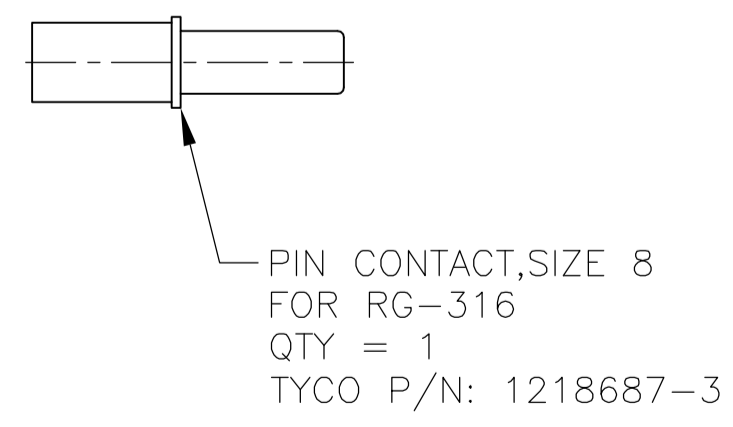


- CONNECTOR DIMENSIONS ARE PER ARINC 600 SPECIFICATION UNLESS OTHERWISE SPECIFIED.
- CONNECTOR IS SUPPLIED WITH CONTACTS (PER TABLE) ASSEMBLED AS SHOWN.
- KEYING SHOWN IN POSITION "01" FOR ILLUSTRATION ONLY. CONNECTORS SHIPPED WITH KEYING INSTALLED IN POSITION PER TABLE.
- WITH CONTACT FULLY SEATED TO REAR OF CAVITY.
- FILLER PLUGS ARE SHOWN AS CROSSHATCHED AREAS IN CAVITIES.



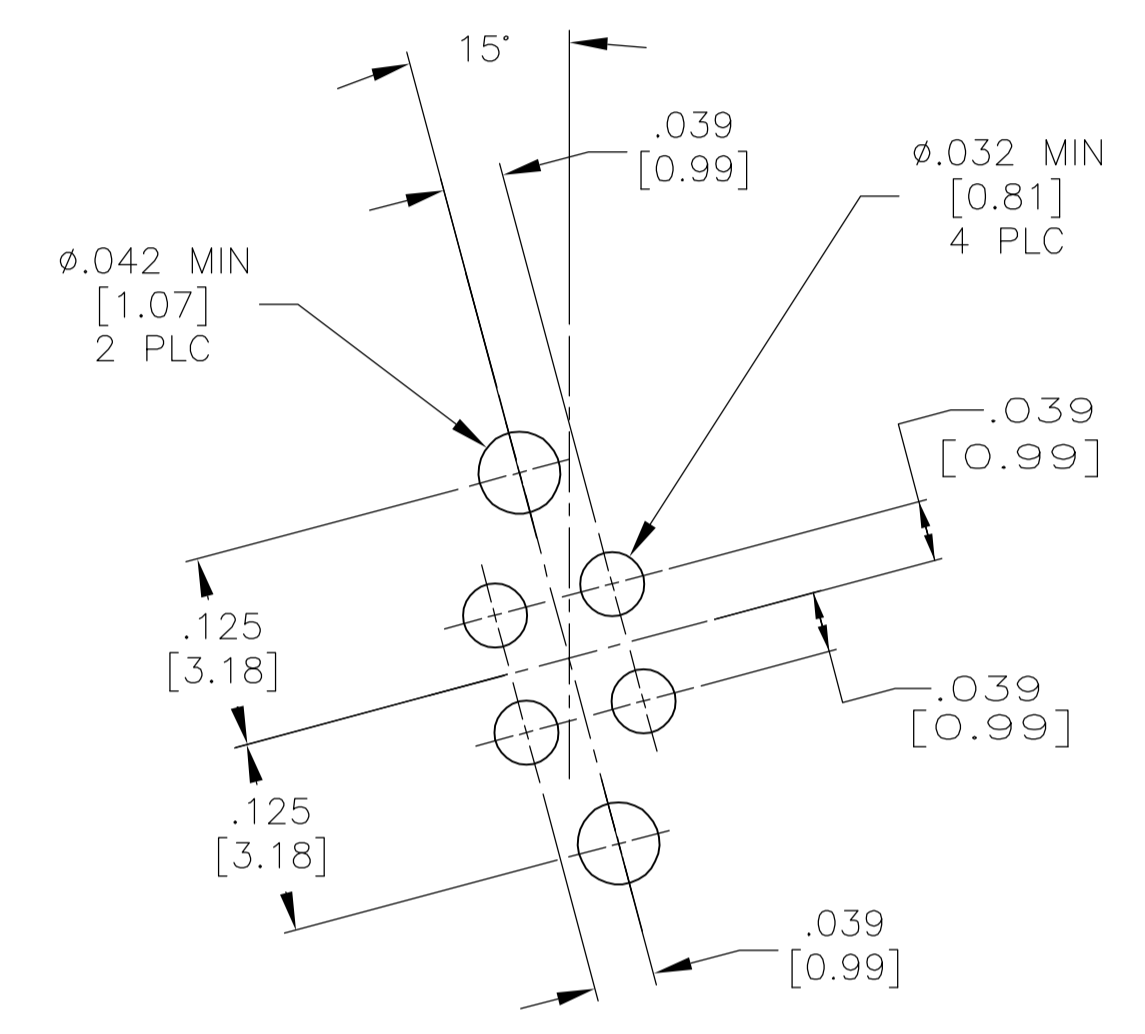
COMPONENT	MATERIAL	FINISH
SHELL	DIE CAST ALUMINUM PER ASTM-B-85	ELECTROLESS NICKEL PER MIL-C-26074, CLASS 3 OR 4, GRADE B
RETENTION PLATES	ALUMINUM ALLOY PER ASTM-B-209	ELECTROLESS NICKEL PER MIL-C-26074, CLASS 3 OR 4, GRADE B
SCREWS AND LOCKWASHERS	STEEL OR STAINLESS STEEL	CHROMATE OVER ZINC OR PASSIVATED
KEYWAY	ZINC ALLOY PER ASTM-B-86	-
62Q2 INSERT	THERMOSET	-
KEYWAY RETAINING PLATE	ALUMINUM ALLOY PER ASTM-B-209	BLUE ANODIZED PER MIL-A-8625
QUADRAx INSERTS	ALUMINUM ALLOY PER ASTM-B-209	ELECTROLESS NICKEL PER MIL-C-26074, CLASS 3 OR 4, GRADE B
FILLER PLUGS	ALUMINUM ALLOY PER ASTM-B-211	ELECTROLESS NICKEL PER MIL-C-26074,

68	MODULE A & B: SIZE 8 QUADRAx: 1445626-4 (QTY=14) SIZE 8 FILLER PLUG: 1663983-1 (QTY=8) CONTACTS & PLUGS LOADED AS SHOWN	1757138-1
KEYING POSITION	CONTACTS INCLUDED AND INSTALLED	PART NUMBER

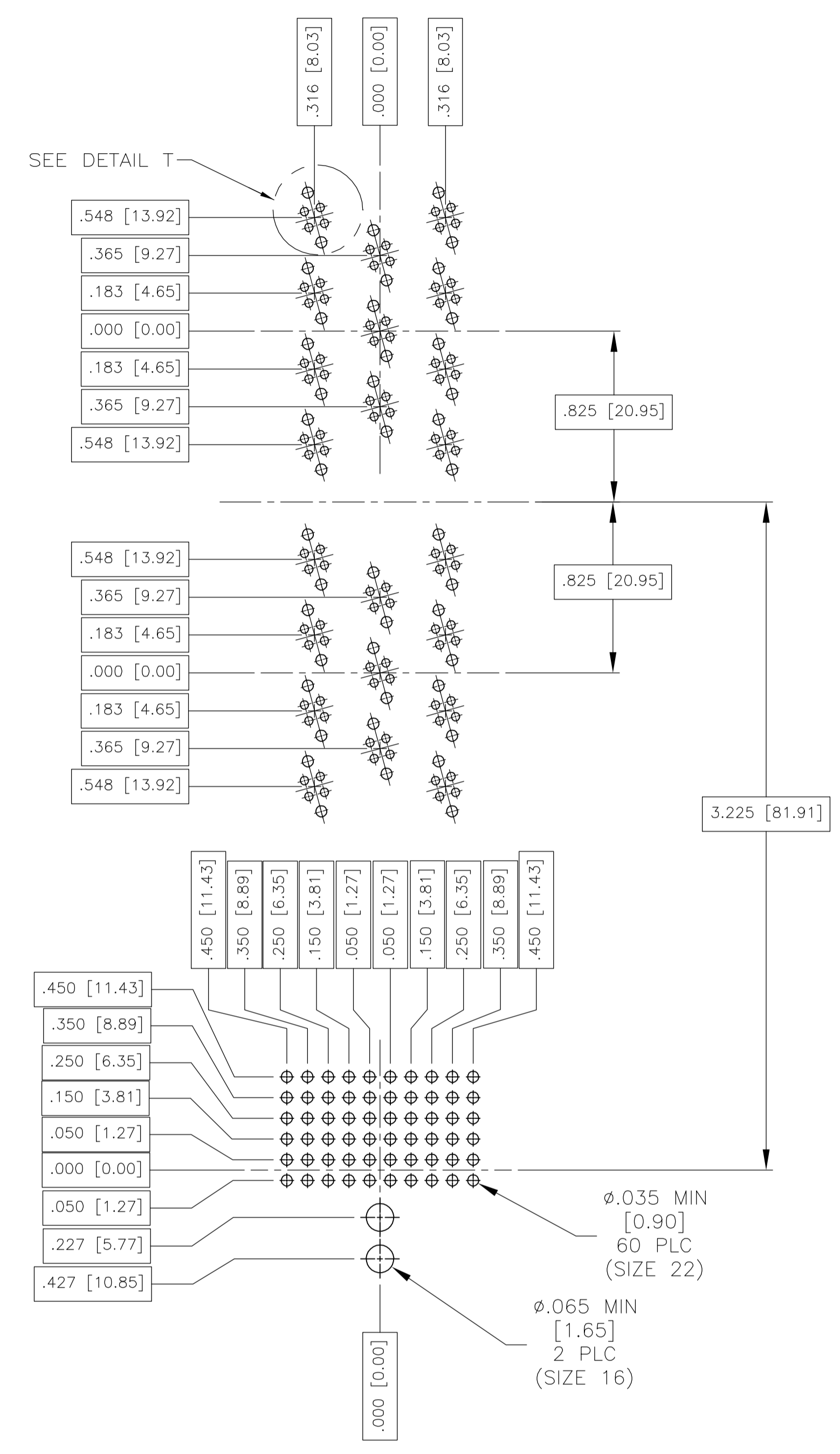
THIS DRAWING IS A CONTROLLED DOCUMENT.

DIMENSIONS: INCHES	TOLERANCES UNLESS OTHERWISE SPECIFIED:	0 PLC ± .005	1 PLC ± .005	2 PLC ± .005	3 PLC ± .005	4 PLC ± .005	ANGLES ± .005		
MATERIAL SEE TABLE	FINISH SEE TABLE	WEIGHT	APPROVED: S. GLATFELTER	DATE: 5-25-04	NAME: RCPT ASSY, SIZE 2, ARINC 600 (11Q11/11Q11/62T2 SPECIAL)	SIZE: A1	CAGE CODE: 00779	DRAWING NO: 1757138	RESTRICTED TO: -

CUSTOMER DRAWING SCALE 1.5:1 SHEET 1 OF 2 REV B



DETAIL T
SCALE NTS
22 PLC



THIS DRAWING IS A CONTROLLED DOCUMENT.		DIN C.C.THOMAS 5-25-04		Tyco Electronics Corporation Harrisburg, Pa 17105-3608																								
DIMENSIONS: INCHES		CHK S.GLATFELTER 5-25-04		APVD S.GLATFELTER 5-25-04	NAME RCPT ASSY, SIZE 2, ARINC 600 (11Q11/11Q11/62T2 SPECIAL)																							
<table border="1"> <tr><td>0 PLC</td><td>±</td><td>-</td></tr> <tr><td>1 PLC</td><td>±</td><td>-</td></tr> <tr><td>2 PLC</td><td>±</td><td>-</td></tr> <tr><td>3 PLC</td><td>±</td><td>-</td></tr> <tr><td>4 PLC</td><td>±</td><td>-</td></tr> <tr><td>ANGLES</td><td>±</td><td>-</td></tr> </table>		0 PLC	±	-	1 PLC	±	-	2 PLC	±	-	3 PLC	±	-	4 PLC	±	-	ANGLES	±	-	<table border="1"> <tr><td>PRODUCT SPEC</td><td></td></tr> <tr><td>APPLICATION SPEC</td><td></td></tr> <tr><td>WEIGHT</td><td></td></tr> </table>		PRODUCT SPEC		APPLICATION SPEC		WEIGHT		RESTRICTED TO
0 PLC	±	-																										
1 PLC	±	-																										
2 PLC	±	-																										
3 PLC	±	-																										
4 PLC	±	-																										
ANGLES	±	-																										
PRODUCT SPEC																												
APPLICATION SPEC																												
WEIGHT																												
MATERIAL SEE TABLE	FINISH SEE TABLE	SIZE A1	CAGE CODE 00779	DRAWING NO 1757138																								
CUSTOMER DRAWING		SCALE 1.5:1	SHEET 2 OF 2	REV B																								