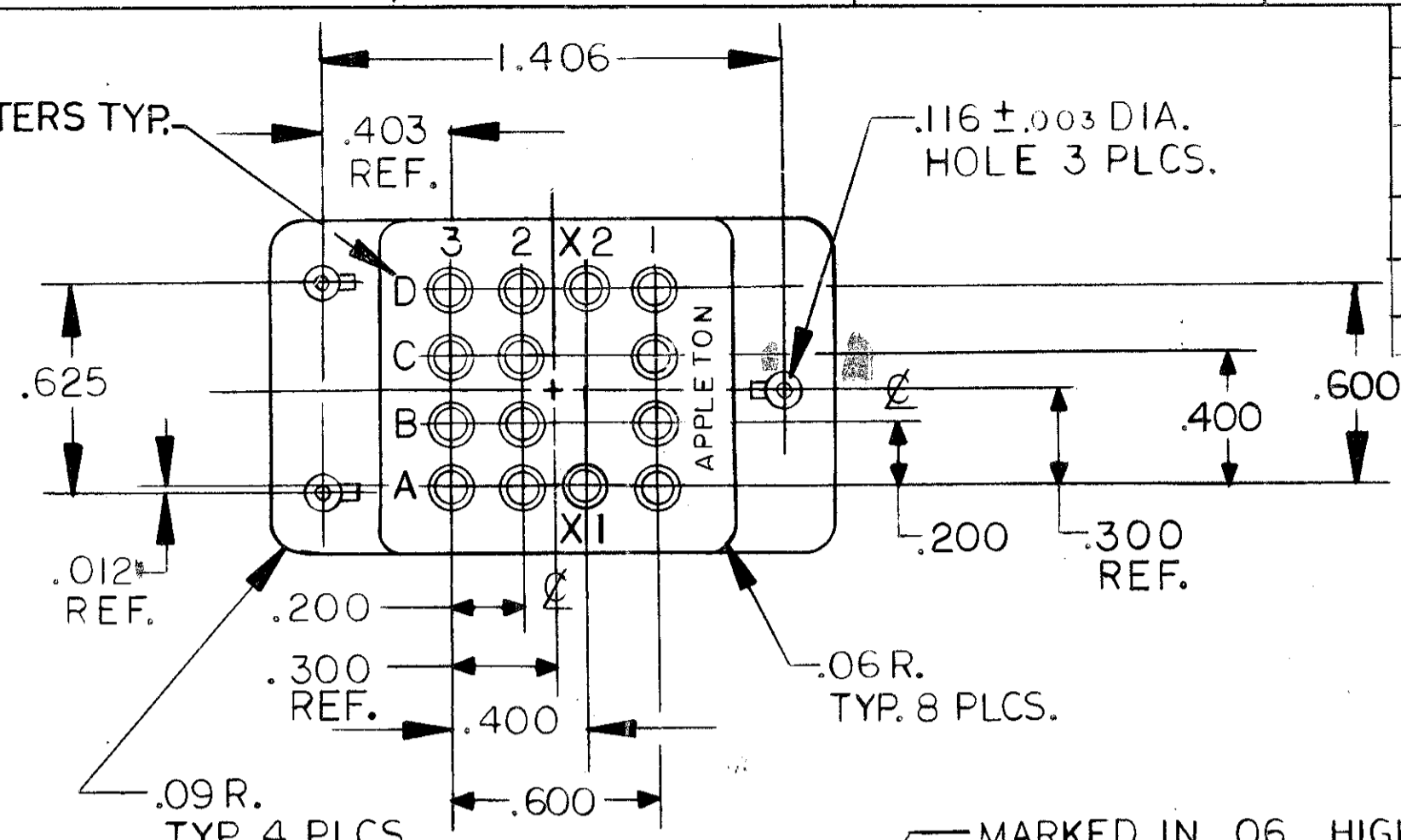


- NOTES**
- HOUSING SHALL BE THERMOSETTING MOLDING MATERIAL PER MIL-M-14, TYPE SDG-F COLOR: GREEN.
  - SEALING GROMMET MATERIAL SHALL BE SILICONE RUBBER PER ZZ-R-765 COLOR: RED.
  - SOCKET CONTACT SHALL BE COPPER ALLOY GOLD PLATED PER MIL-G-45204, TYPE II, GRADE C, CLASS I.
  - STUD MATERIAL AND MOUNTING HARDWARE SHALL BE STAINLESS STEEL PASSIVATED UNLESS OTHERWISE SPECIFIED.
  - SOCKET CONTACTS ARE OF CLOSED ENTRY TYPE AND DESIGNED TO COMPLY WITH TEST REQUIREMENTS OF MIL-C-39029 INCLUDING CRIMP TERMINATION.
  - M22520/1-01 CRIMP TOOL AND M22520/1-02 POSITIONER SHALL BE USED TO TERMINATE SOCKET CONTACTS TO THEIR RESPECTIVE WIRE SIZES.
  - M81969/14-03 AND TOOL(S) SHALL BE USED FOR INSERTING AND REMOVING WIRED SOCKET CONTACTS.
  - ALL HARDWARE SUPPLIED UNASSEMBLED IN SEPARATE BAG WITHIN SOCKET PACKAGE.
  - CONTACTS SUPPLIED UNASSEMBLED IN SEPARATE RIGID CONTAINER WITHIN SOCKET PACKAGE SEE TABLE.
  - WEIGHT: .132 LBS (60g) MAX., INCLUDING HARDWARE AND CONTACTS.
  - INSTALLATION TORQUE REQUIREMENTS:  
THREAD SIZE .112-40 =  $4 \pm 1.0$  IN. - LBS.  
THREAD SIZE .190-32 =  $18 \pm 1.0$  IN. - LBS.
  - THE SEALING GROMMET IS DESIGNED TO SEAL OVER THE FOLLOWING WIRE DIA'S: SIZE 16 .065 MIN. TO .109 MAX.
  - UNIT PACKAGE RELAY SOCKET PER EC-034, TYPE II.

REVISION				
LTR	ECN	DESCRIPTION	DATE	APPD
-	827	RELEASE PER ECN	9/5/86	JAC
A	1155	UPDATED TO NEW MILITARY NUMBERS	11/6/87	JAC
B	1177	M12883/40-01 VAS M12883/40C-01	12/11/87	JAC
C	1199	ADDED NOTE #13 CHANGED NOTE #9	2/11/88	JAC
D	2414	ADD "J" DESIGNATION	01 JUN 95	JAC

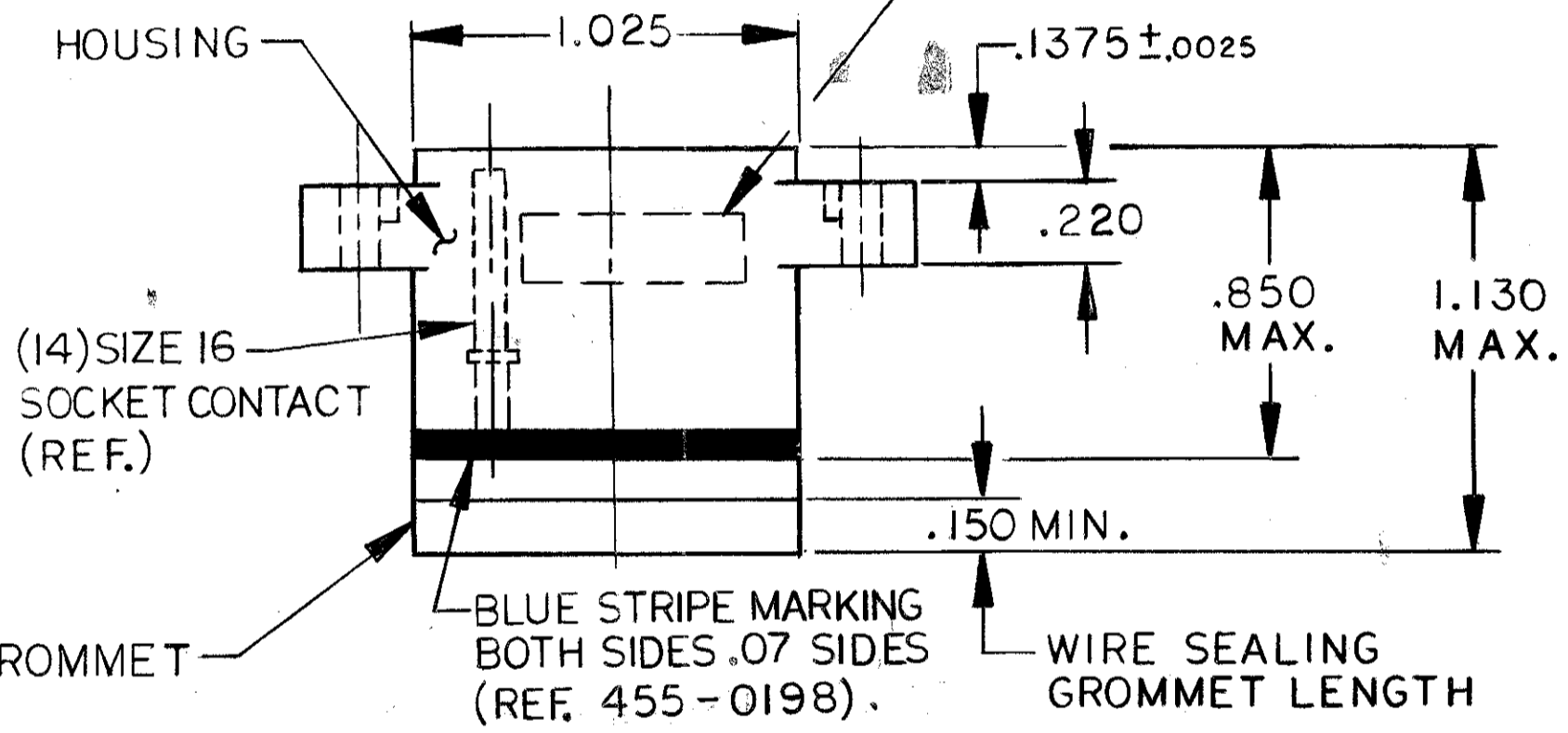
.078 HIGH CHARACTERS TYP.



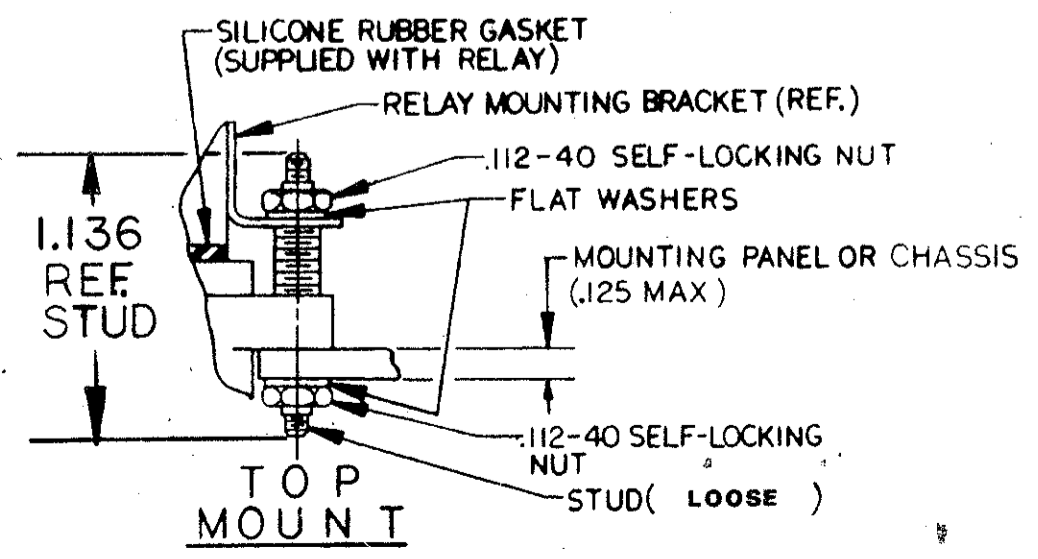
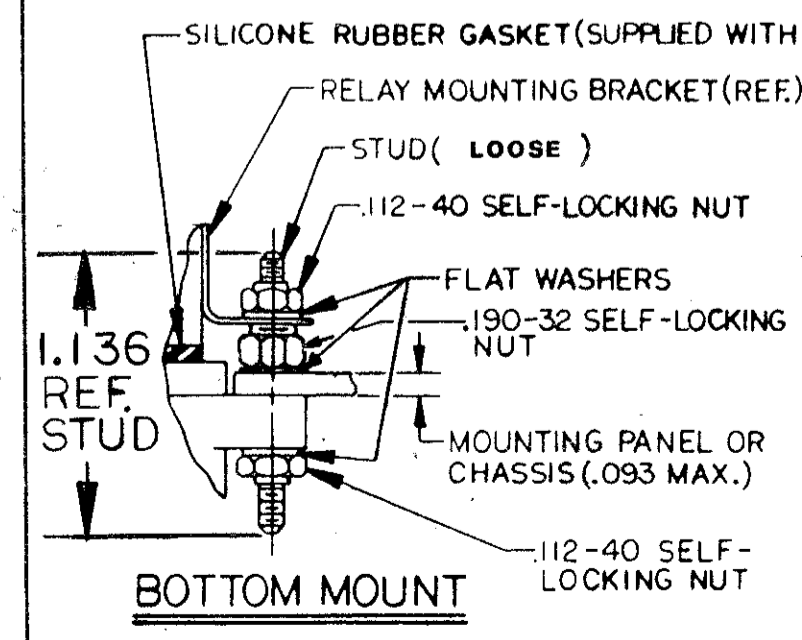
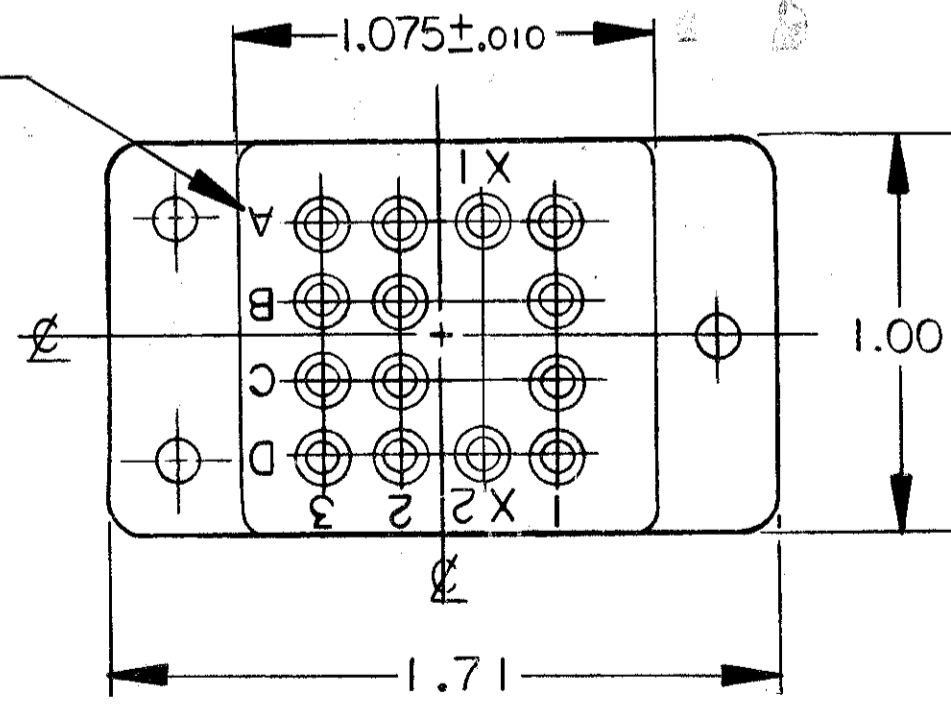
MARKED IN .06 HIGH CHARACTERS USING BLACK EPOXY INK IN AREA AS SHOWN. SIDE OPTIONAL.

~~M12883/40-01~~  
~~MFR 58982~~  
~~RSL116078~~  
~~PCD DATE CODE~~  
(BOTH PART NUMBERS TO BE MARKED THE SAME.)

"M12883/40-01  
J 58982 XXXX  
RSL116078  
PCD"  
DATE CODE



.078 HIGH CHARACTERS RAISED .005/.008 TYP.



RSL116079	14 SZ. 16/16 SKT. CNT.	CNS511600
RSL116078	NONE	//
PCD PART NUMBER	CONTACTS SUPPLIED	CONTACT PART NUMBER

DIMENSIONS ARE IN: INCHES		
USED ON MS27709-2 MR83726 MS27400	TOLERANCES: .X ± .XX ± .01 .XXX ± .005 .XXXX ±	ANGLES: ± 2°
ENG. R. Carrasco	CHECKED BY J. Cardone	DATE 8-19-86
PROD. ENG.	APPROVED BY W. K. K. K.	DATE 9-4-86
BY DIRECTION OF		DATE 9-5-86

<b>PRECISION CONNECTOR DESIGNS INC.</b> WINCHESTER, MA 01890		TITLE: M12883/40-01 RELAY SOCKET 14 POSITION SIZE 16/16	
MATERIAL: SEE NOTES 1 THRU 4	CODE IDENT: 58982	PART NUMBER: RSL116078	REV: D
FINISH: //	SCALE: 2 TO 1	SHEET: 1	OF: 1