

5

4

3

2

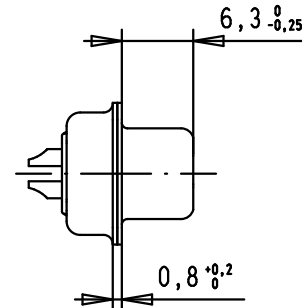
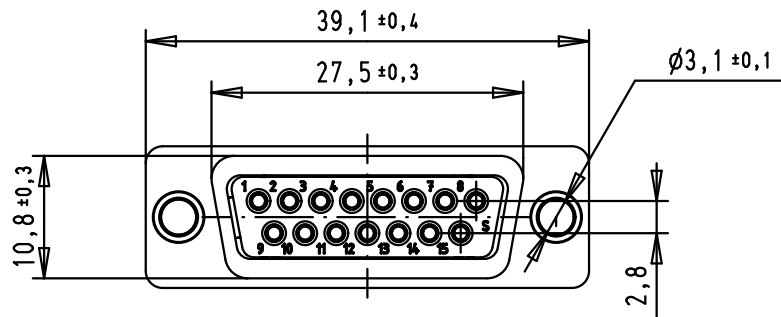
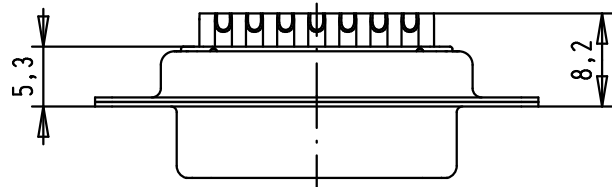
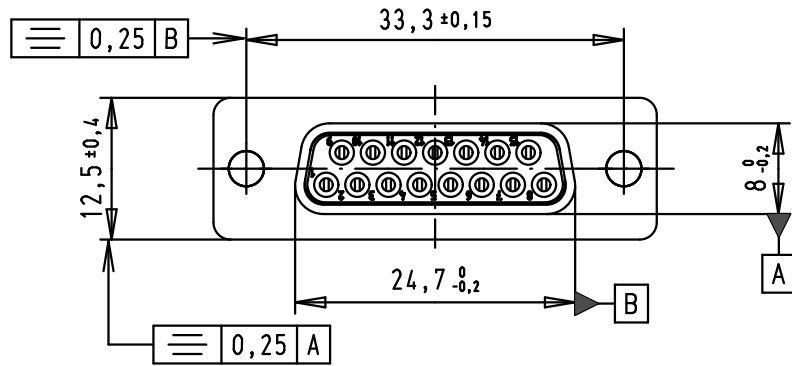
1



SPECIFICATION: C Filter

Performance level	PL2
Capacitance	1000pf±20%
Working Voltage	100v
Current Rating	7.5A
Insulation Resistance	>1GΩ

Minimum insertion loss

FREQUENCY (MHz)	ATTENUATION dB
5	1dB
10	3dB
50	12dB
100	20dB
500	34dB
1000	30dB

Max wire ϕ 1,0 mm

			Dat.	Name	 All Dim. in mm Orig. Size DIN A 4	
			Detail.	8-JUL-02		CV
			Insp.	12/01/12		JB
			Stand.			
36283	12/01/12	SD	HARTING EURL F-95972 Paris			
31570	06/11/03	AF				
31058	8-JUL-02	CV				
Mod.	Dat.	Name				Sub.

D-Sub, Female, Straight
15 Poles, with turned
solder bucket and hole

Ma?Mstab/
Scale

1.5:1

TB 09642117230

Blatt/ Page

1 / 1