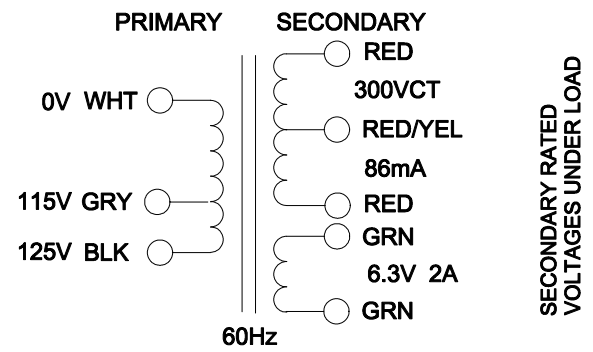
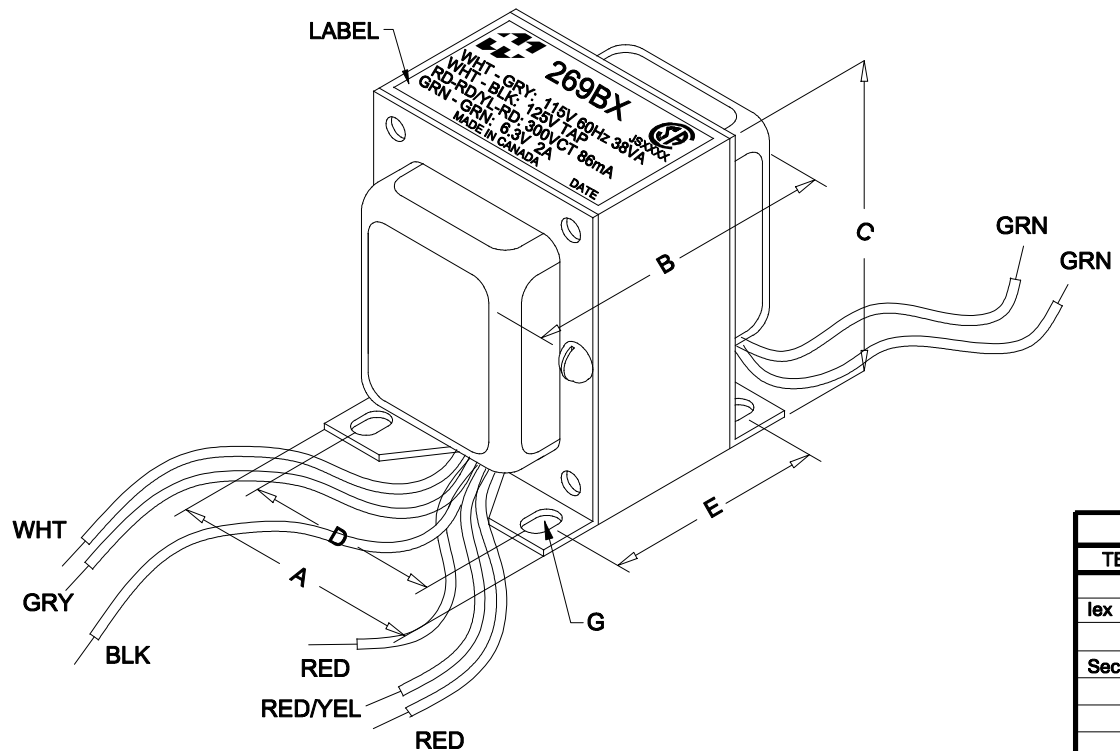


DIMENSIONS:	
A	2.188" ±0.063
B	2.500" ±0.125
C	2.625" ±0.063
D	1.750" ±0.063
E	1.438" ±0.063
G	0.188" x 0.250" ±0.015



NOTE: ALL LEADS 6" OUT MIN. STRIPPED 0.5"

ELECTRICAL DATA:		
TESTS	CONDITIONS	ACCEPTANCE CRITERIA
Iex	@ 125V, 60Hz, WHT - BLK	151mA Max.
Sec. N.L.V	@ 125V, 60Hz, WHT - BLK	
	RED - RED =	337.8V ±2%
	RED - RED/YEL = RED/YEL - RED =	168.9V ±2%
	GRN - GRN =	7.219V ±2%
DCR	@ 20°C, WHT - BLK =	13.43 Ω ±20%
	@ 20°C, RED - RED =	169.9 Ω ±20%
	@ 20°C, GRN - GRN =	0.212 Ω ±20%
HIPOT	PRIMARY - SECONDARY	2000V, 60Hz, 1 SEC

REV.#	REVISION	DATE	HAMMOND ELECTRONIC DIVISION		52 RANKIN PLACE, WATERLOO, ONTARIO, N2J 3Z5	PH # (519) 886-6181 FAX # (519) 886-9540
0	RELEASED.	C.I. 09/26/12	MANUFACTURING™			
			DWG. BY: C. ILIE	CHK'D BY:	TITLE: POWER TRANSFORMER	DWG. NO. 269BX
			DATE: 09/26/12	APP'D. BY:		
				DIMENSIONS: IN(X) MM()		