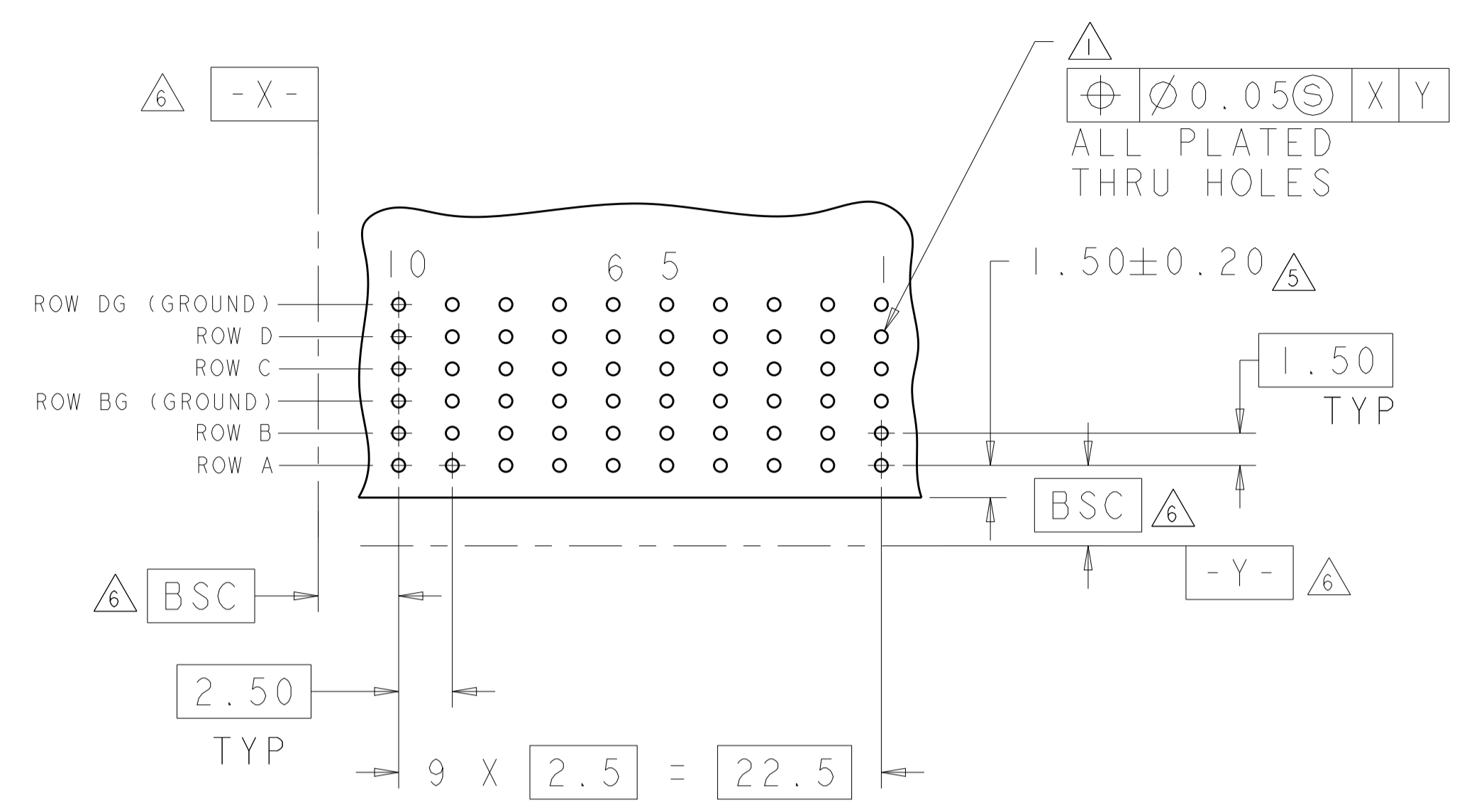
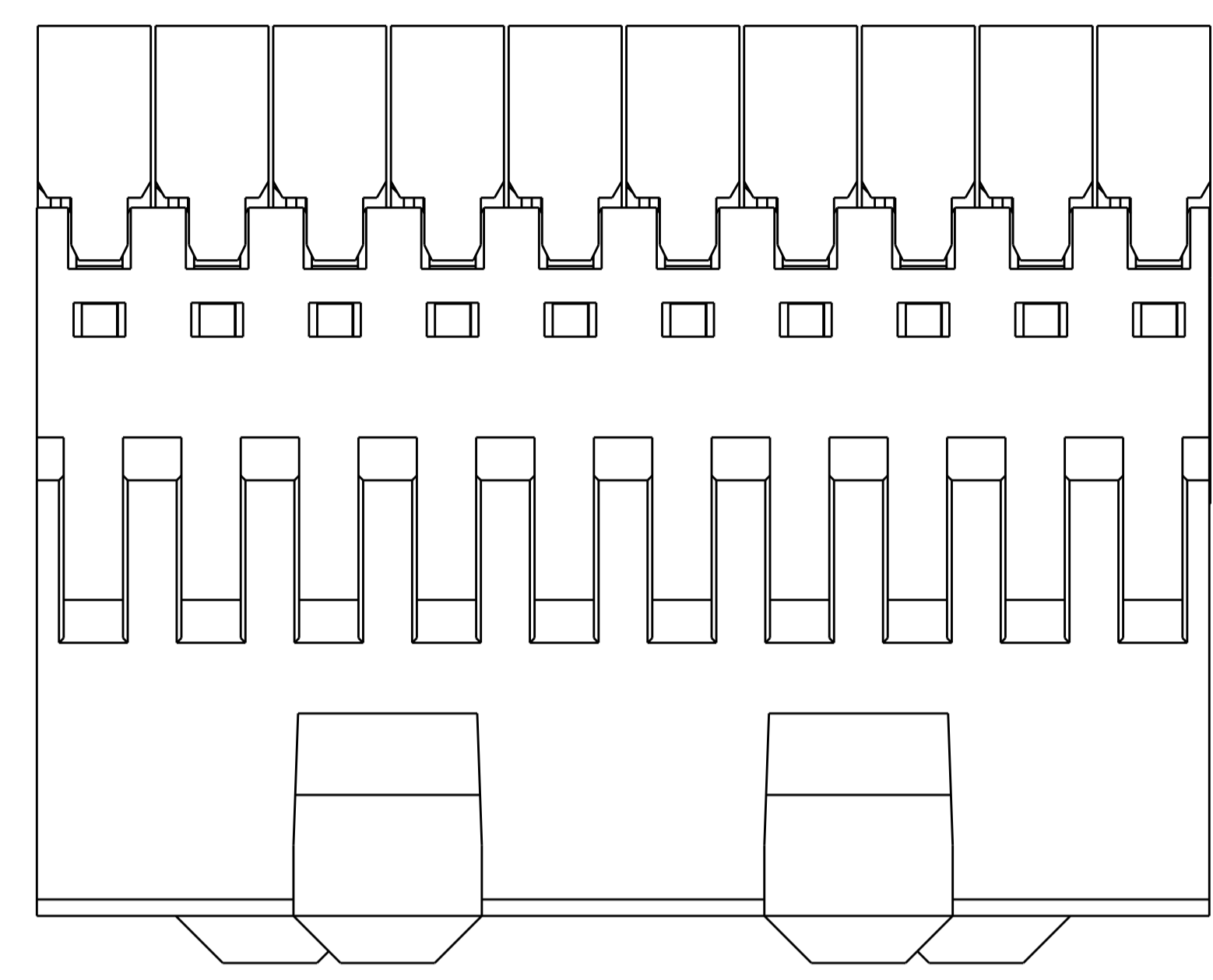
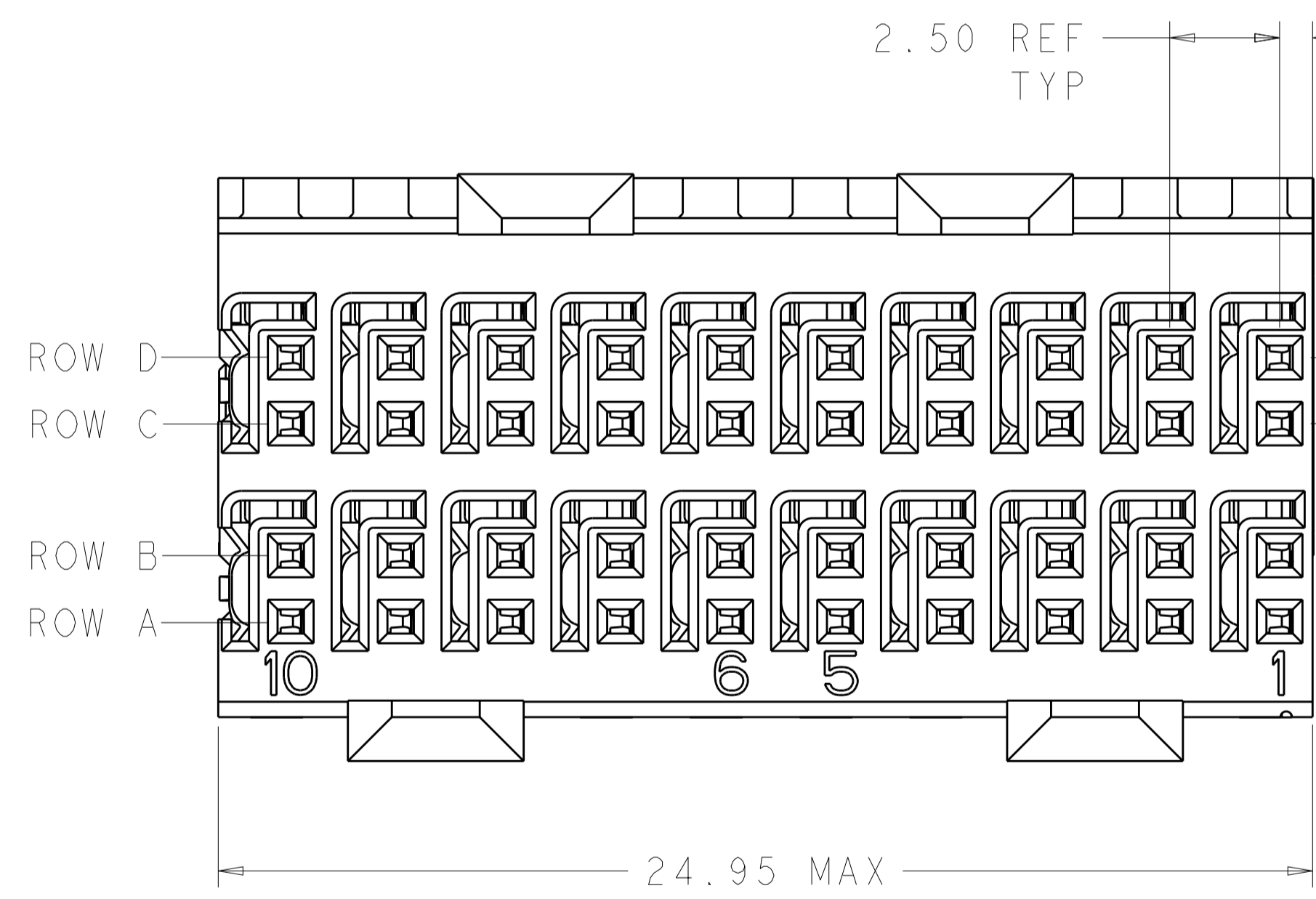


REVISIONS				
P.	LTN	DESCRIPTION	DATE	APV
D		REVISED PER ECO-14-005095	12APR2014	AP RP
E		REVISED PER ECO-16-008845	23SEP2016	AP RP

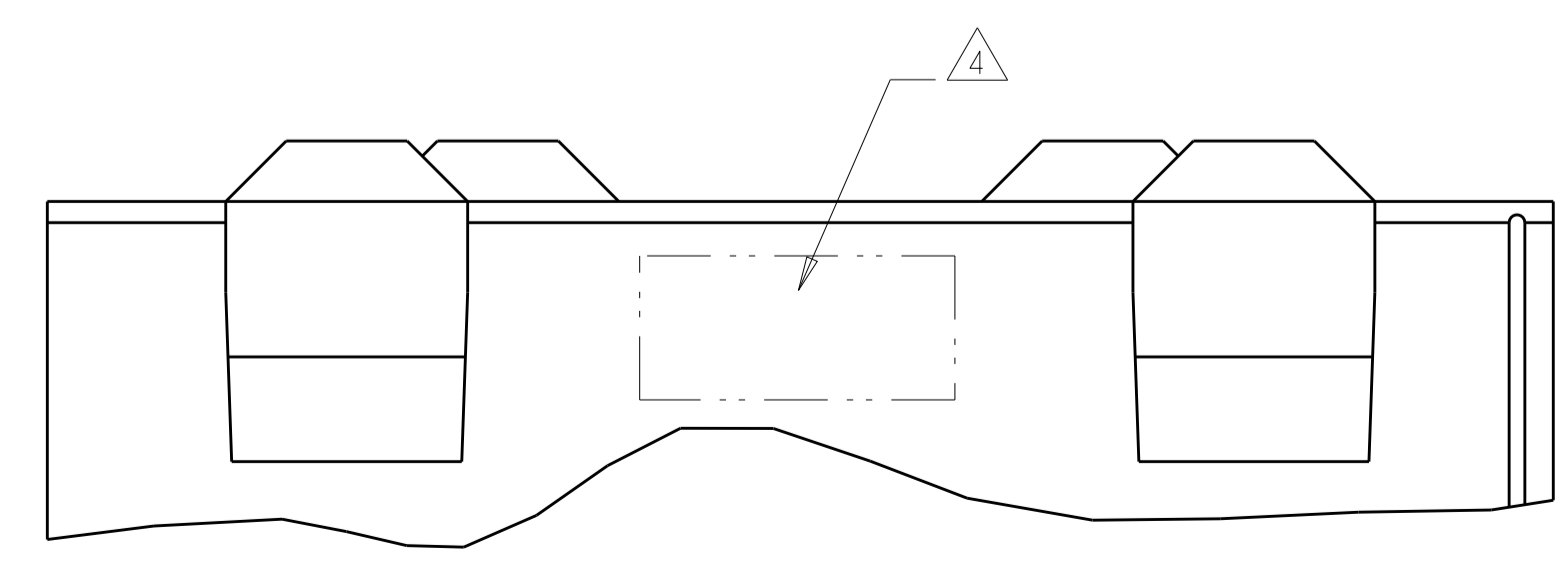
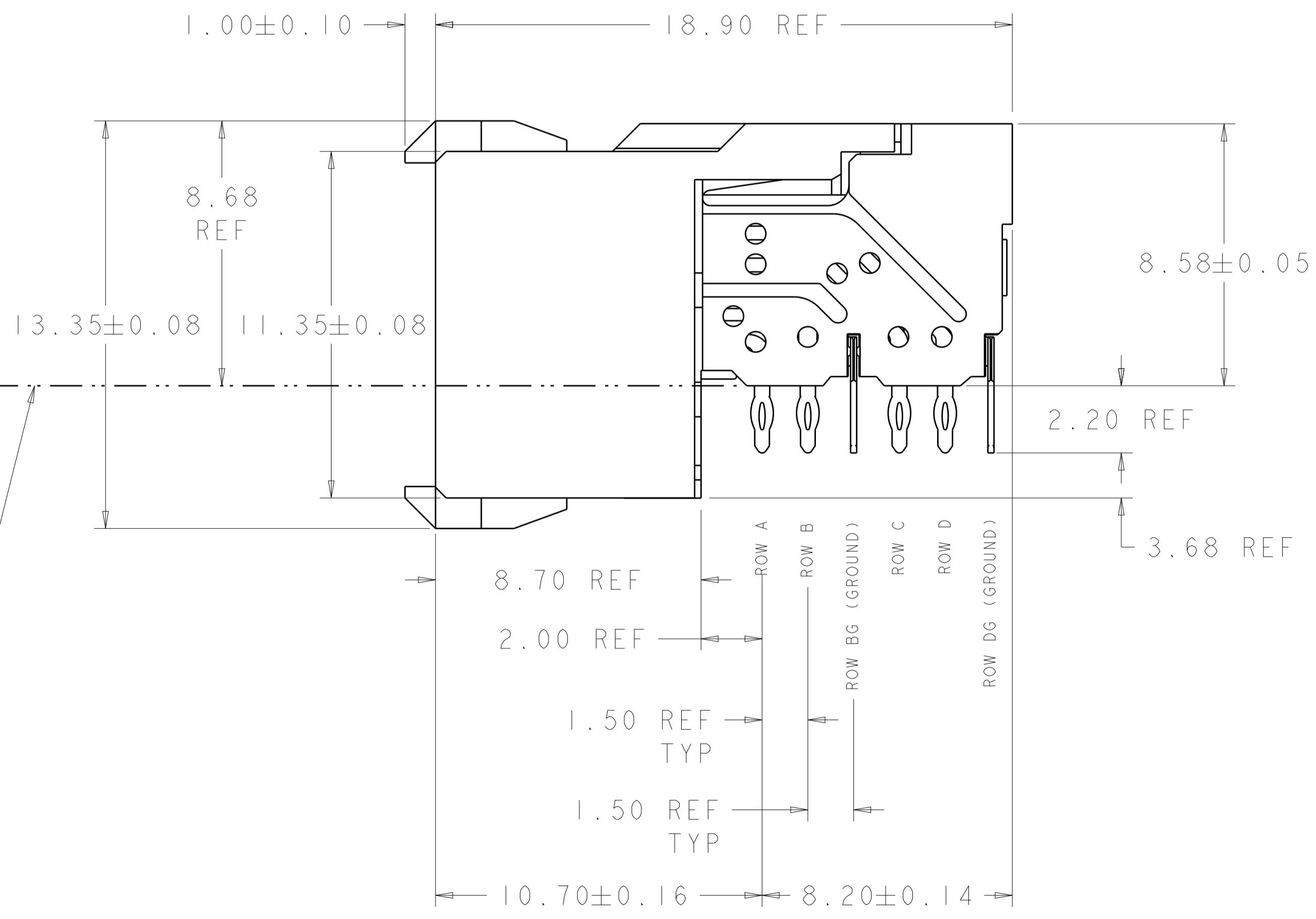


RECOMMENDED PC BOARD LAYOUT,
 DAUGHTER BOARD,
 COMPONENT SIDE SHOWN
 SCALE 4:1

- △ REFERENCE APPLICATION SPEC 114-13059 FOR RECOMMENDED PLATED THRU HOLE DIAMETER AND PLATING THICKNESSES.
- △ MATERIAL:
 SHIELD - PHOSPHOR BRONZE
 CONTACT - COPPER-NICKEL-SILICON
 HOUSING, CHICKLET AND CHICKLET COVER -
 GLASS FILLED POLYESTER, UL 94V-0 RATED.
- △ FINISH: SIGNAL AND GROUND CONTACTS:
 MATING AREA: MEETS THE PERFORMANCE REQUIREMENTS OF
 PRODUCT SPECIFICATION 108-2055; BASED ON TELCORDIA
 GR-1217-CORE, APPLICATIONS IN UNCONTROLLED
 ENVIRONMENTS
 COMPLIANT PIN AREA: 0.5 μm MIN BRIGHT
 TIN-LEAD OVER BASE PLATING
- △ CONNECTOR MARKED WITH PART NUMBER AND DATE CODE
 IN APPROXIMATE AREA SHOWN
- △ DIMENSION APPLIES TO CENTERLINE OF THRU HOLE.
- △ DATUMS AND BASIC DIMENSIONS ESTABLISHED BY
 CUSTOMER.
- 7. CONTACT AREA LUBRICATED WITH BELLCORE
 APPROVED LUBRICANT. TECHNICAL REFERENCE:
 GR-1217-CORE, ISSUE 1, NOVEMBER 1995.



TOP SURFACE OF
 DAUGHTER CARD



1469325-1
 PART NUMBER

THIS DRAWING IS A CONTROLLED DOCUMENT.		OWN S. J. MAGARO 09JUL2003	TE Connectivity	
DIMENSIONS:		CHK R. A. PATTERSON 09JUL2003	NAME RECEPTACLE ASSEMBLY, 2 PAIR, 25mm, HMZd	
TOLERANCES UNLESS OTHERWISE SPECIFIED:		APV B. PATTERSON 16MAY2007	PRODUCT SPEC	
mm	0 PLC ±	APPLICATION SPEC	SIZE CAGE CODE DRAWING NO RESTRICTED TO	
∅	1 PLC ±	WEIGHT	A100779C=1469325	
∅	2 PLC ±	CUSTOMER DRAWING	SCALE 8:1 SHEET 1 OF 1 REV E	
∅	3 PLC ±			
∅	4 PLC ±			
ANGLES	±			
MATERIAL	FINISH			