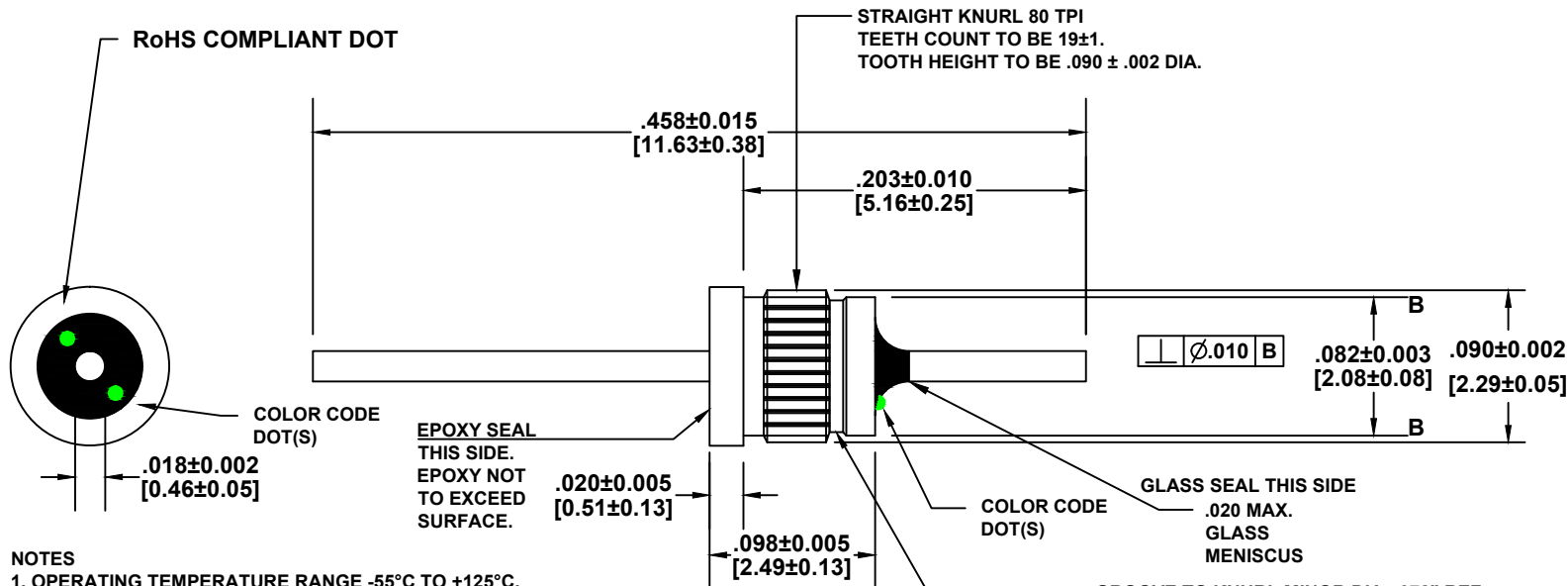


DATA SHEET DRAWING

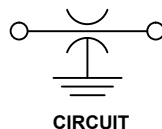
This drawing is the property of Tusonix, Inc., and may not be used, reproduced, published or disclosed to others without expressed authorization by Tusonix Inc.

Electrical testing per Tusonix standard test plans and MIL-Std-202 test methods.



NOTES

1. OPERATING TEMPERATURE RANGE -55°C TO +125°C.
2. GOLD PLATED CASE AND LEAD.
3. EPOXY SEALED ON THE OPPOSITE END FROM THE GLASS SEAL.
4. PROPER INSTALLATION REQUIRES FIRM STEADY PRESSURE UNTIL FLANGE IS FULLY SEATED.
5. RECOMMENDED MOUNTING HOLE: .085±.001 [2.18±0.01]
6. END OF LEAD INDICATED TO BE FREE OF BURRS.
7. TUSONIX NON-RoHS COMPLIANT PART NUMBER: 4310-012.
TUSONIX RoHS COMPLIANT PART NUMBER: 4310-012LF.
CUSTOMER MUST SPECIFY NON-RoHS OR RoHS PART NUMBER WHEN ORDERING.
8. COLOR CODE: GREEN. RoHS COMPLIANT PART MARKED WITH ADDITIONAL GREEN DOT FOR IDENTIFICATION.



Cx (pF)	DC WORKING VOLTAGE		I _{DC}	I.R. MIN @ 100 VDC	DWV
100	+100%	85°C 300	1A	10 G Ω	500 VDC
TYPICAL NO LOAD INSERTION LOSS (dB) @ 25°C PER MIL-STD-220					
10 MHz	100 MHz	1 GHz	10 GHz		
----	3	20	28		

DIMENSIONS:
ENGLISH UNITS - INCHES
METRIC UNITS - [mm]

ORIENTATION

TUSONIX
A Subsidiary of CTS Electronic Components
TUCSON, ARIZONA

--TOLERANCES--
Unless Otherwise Specified

Title MINIATURE PRESS-IN EMI FILTER

Dwn R.C. 05-06-15 Ckd R.C. 05-06-15

Material **SEE NOTES** Scale: NOT TO SCALE

REVISION RECORD

REV	DATE	CHG BY	CHANGE	REV	DATE	CHG BY	CHANGE
A	05-08-15	R.C.	ORIGINAL RELEASE				
B	09-19-18	R.C.	MODIFIED DOT PLACEMENT, NOTE 5 HOLE DIM., EPOXY FILL NOTE.				

2 Place Decimal ± .01

3 Place Decimal ± .005

Angles ± 5°

A 4310-012

Sheet 1 of 1